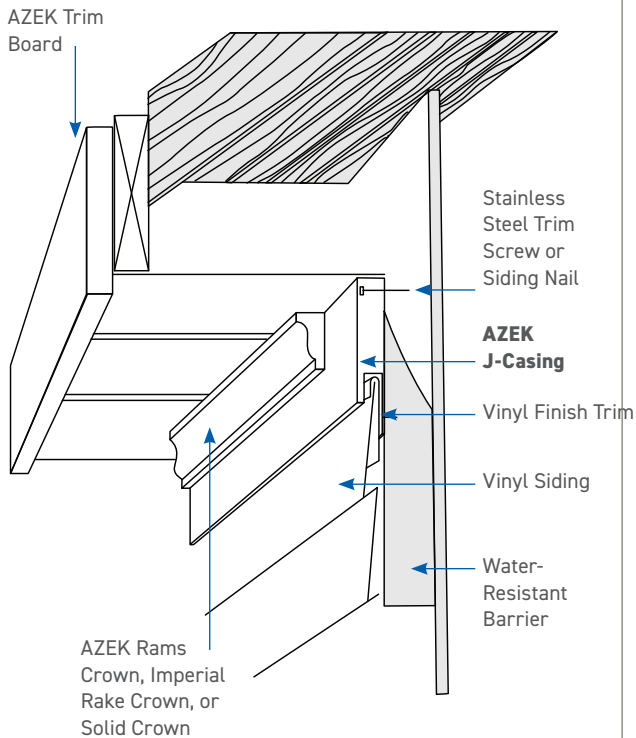


The AZEK J-Series should be installed using the same good building principles used to install wood trim and mouldings and in accordance with the local building codes and guidelines included below. These products may not be suitable for every application and it is the installer's sole responsibility to ensure they are fit for the intended use. AZEK Exteriors accepts no liability or responsibility for the improper installation of this product. AZEK Exteriors assumes no responsibility for moisture infiltration. If you have questions or need further assistance, please call AZEK Customer Service at 877-ASK-AZEK (275-2935) or visit www.AZEKexteriors.com.

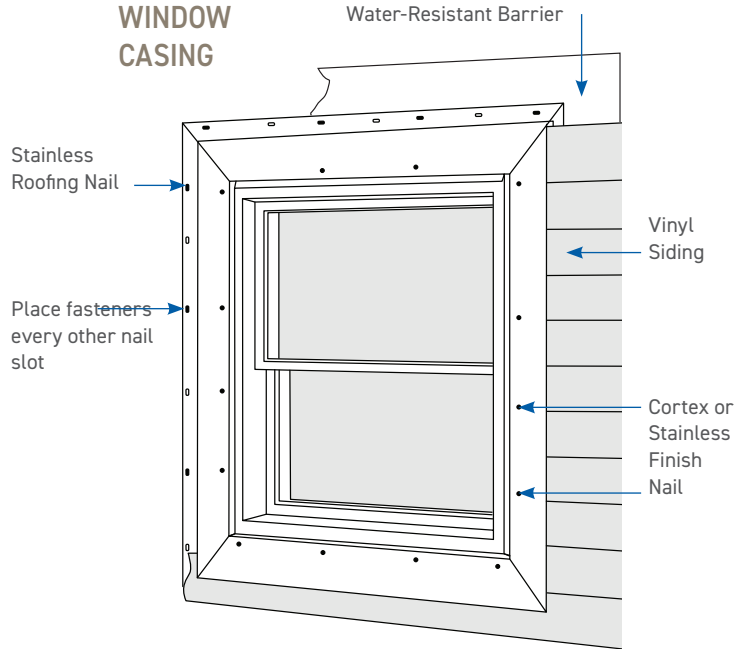
J-CASING INSTALLATION

FRIEZE

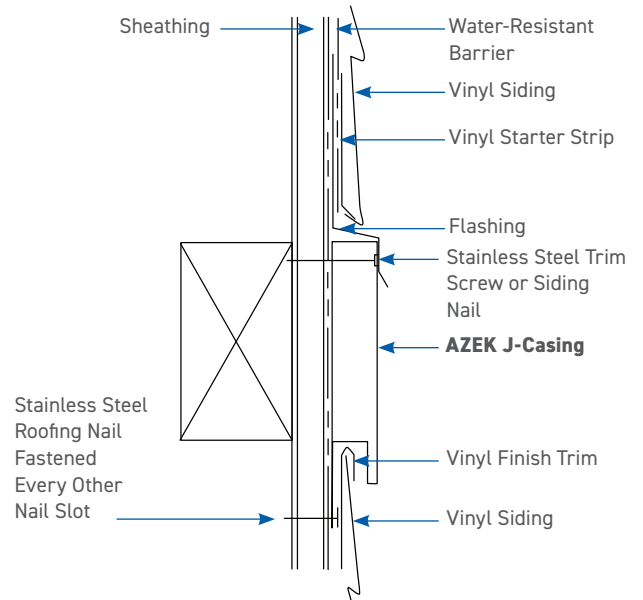
AZEK® J-Casings can be used as a frieze to finish your siding where it meets your soffits. Installing AZEK J-Casing as a frieze board is easy, adds beauty, personality and eliminates the need for painting over time.



WINDOW CASING



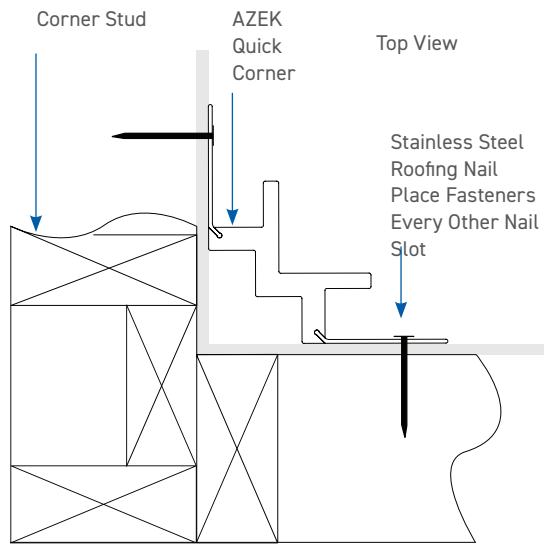
BANDBOARD



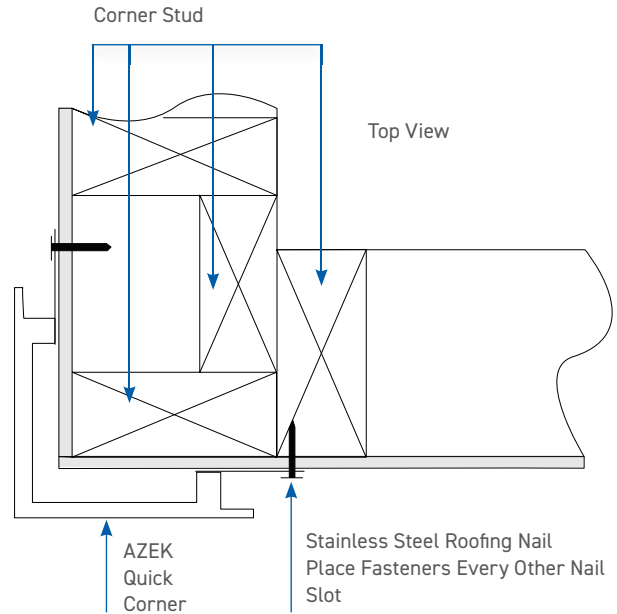
The AZEK J-Series should be installed using the same good building principles used to install wood trim and mouldings and in accordance with the local building codes and guidelines included below. These products may not be suitable for every application and it is the installer's sole responsibility to ensure they are fit for the intended use. AZEK Exteriors accepts no liability or responsibility for the improper installation of this product. AZEK Exteriors assumes no responsibility for moisture infiltration. If you have questions or need further assistance, please call AZEK Customer Service at 877-ASK-AZEK (275-2935) or visit www.AZEKexteriors.com.

QUICK CORNER INSTALLATION

INSIDE CORNER INSTALLATION



OUTSIDE CORNER INSTALLATION



AZEK Exteriors
1330 West Fulton St. Suite #350
Chicago, Illinois 60607

AZEKexteriors.com • (877) ASK-AZEK (877) 275-2935