



THE J-CHANNEL TRIM SERIES
DESIGNED FOR PREMIUM VINYL SIDING



The J-Channel Trim Series is compatible with vinyl lap, vinyl shake, fiber cement, and wood composite siding products.

Learn more at [AZEKexteriors.com/products/moulding/casings](https://www.AZEKexteriors.com/products/moulding/casings)
1330 W Fulton Street, Suite #350 Chicago, IL 60607
© 2021 AZEK Building Products LIT-JCHANNEL 08/21





RAMS CROWN
Perfectly placed in the angle of the frieze and plancier

J-QUICK CORNERS
One-piece corners designed for fast installs with premium siding





J-CASING
Single-piece trim, designed to work with premium vinyl siding

CLASSIC AZEK TRIM

CLASSIC AZEK COLUMN WRAPS

THE AZEK® J-CHANNEL TRIM SERIES: A CLOSER LOOK

AZEK J-Channel Trim Series is a suite of products, including J-Casings and J-Quick Corners, expressly designed to complement premium vinyl siding. Here's why it appeals to contractors and homeowners.

- 
Enhanced Aesthetics
Architectural designs and seamless finishing elevate beauty
- 
Easy Install
Eliminates extra steps in the process and saves time
- 
Cost Savings
Faster installation allows for greater work efficiency and labor savings
- 
Low-Maintenance
Long-term durability eliminates the need for painting or other maintenance

PREMIUM VINYL SIDING NOW HAS A FASTER, EASIER, TRIM SOLUTION

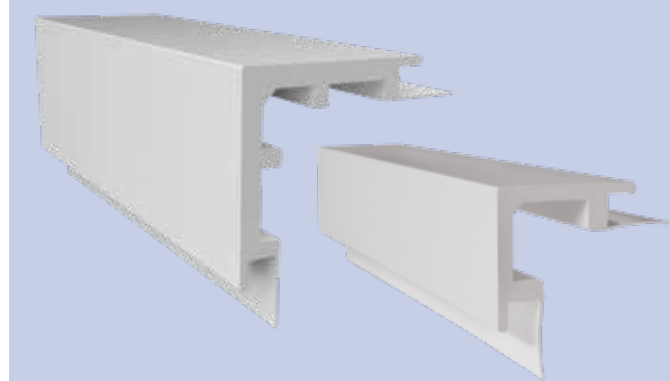
The J-Channel Trim Series from AZEK Building Products beautifully complements any style of siding for a fresh, clean finished look. Our trim is easy to install, saving you time and money. Add a new level of aesthetics that's durable, protected and flexible. Easily add AZEK Mouldings for a personal touch to any installation for added curb appeal.



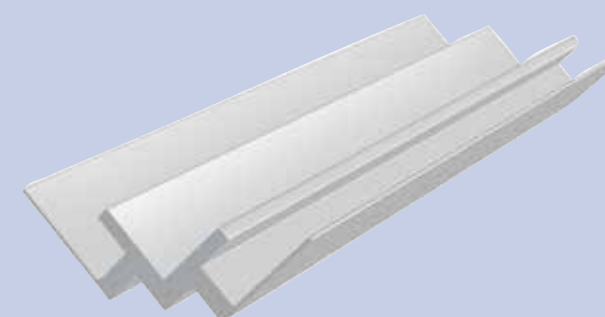
2" x 1-1/4" Brick Mould J-Casing



1 x 6 J-Casing (1-1/8" x 5-1/2" Actual)
1 x 4 J-Casing (1-1/8" x 3-1/2" Actual)



6 x 6 J-Quick Corner Outside (5-1/2" x 5-1/2" Actual)
4 x 4 J-Quick Corner Outside (3-1/2" x 3-1/2" Actual)



3 x 3 J-Quick Corner Inside (2-1/2" x 2-1/2" Actual)

No Caulk, No Paint, Fewer Steps—Faster Installation

- One piece corner and window trim installs quickly
- No caulk required and corner maintains its shape without seams opening
- Homeowners enjoy a more aesthetically pleasing look
- Approved for ground contact



AZEK J-CHANNEL SERIES

J-CASING

AZEK® J-Casing offers the most beautiful and seamless transition between your siding and trim. These trims have also been engineered to reduce labor, the need for field-applied paint, and extra j-channels.



PROBLEM—COMMON VINYL CASING:

- Requires the purchase and installation of J-channel
- Requires additional cost to paint trim
- Unattractive appearance lessens curb appeal



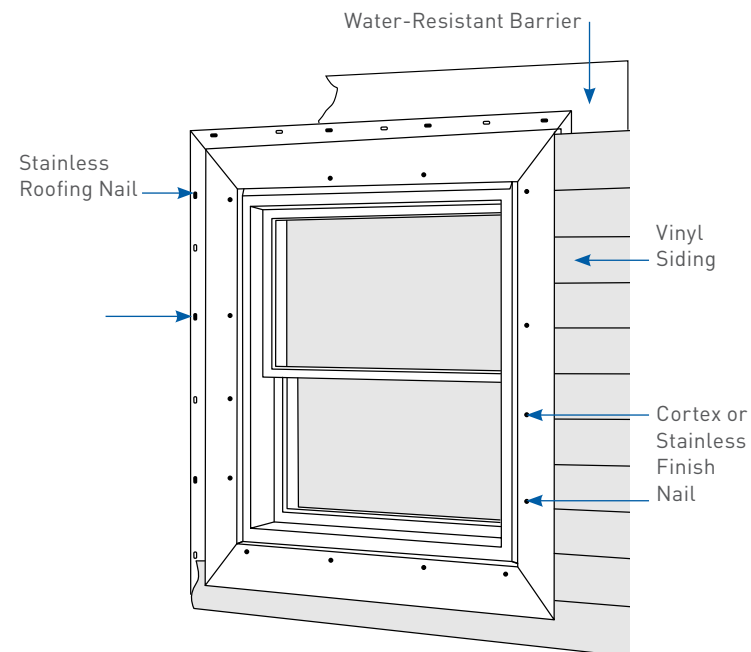
SOLUTION—AZEK J-CASING:

- Integrated J-Casing eliminates extra purchases and installation
- Paint not required for protection
- Beautifully designed to complement its surroundings



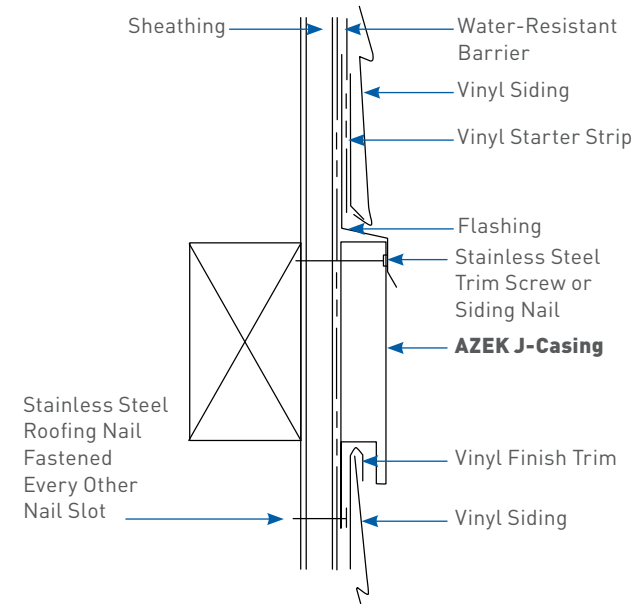
WINDOW CASING

Clean, uniform details can really add to the elegance and upgrade the curb appeal of a home. AZEK J-Channel around window frames allows for vinyl siding to beautifully and seamlessly transition into the window casing without additional pieces or painting. Save time on installation and eliminate purchasing extra pieces for a look that compliments its surroundings.



NOTE: Follow your window/door manufacturer's installation instructions for caulking guidance between window and trim.

BANDBOARD



AZEK J-CASING—BANDBOARD

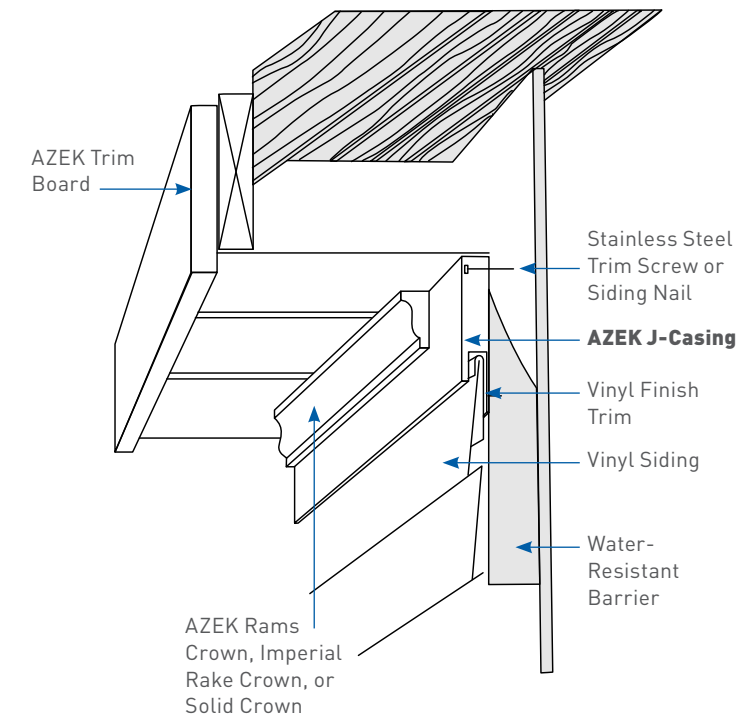


COMMON—BANDBOARD



FRIEZE

AZEK® J-Casings can be used as a frieze to finish your siding where it meets your soffits. Installing AZEK J-Casing as a frieze board is easy, adds beauty, personality and eliminates the need for painting over time.



AZEK J-CASING—FRIEZE APPLICATION



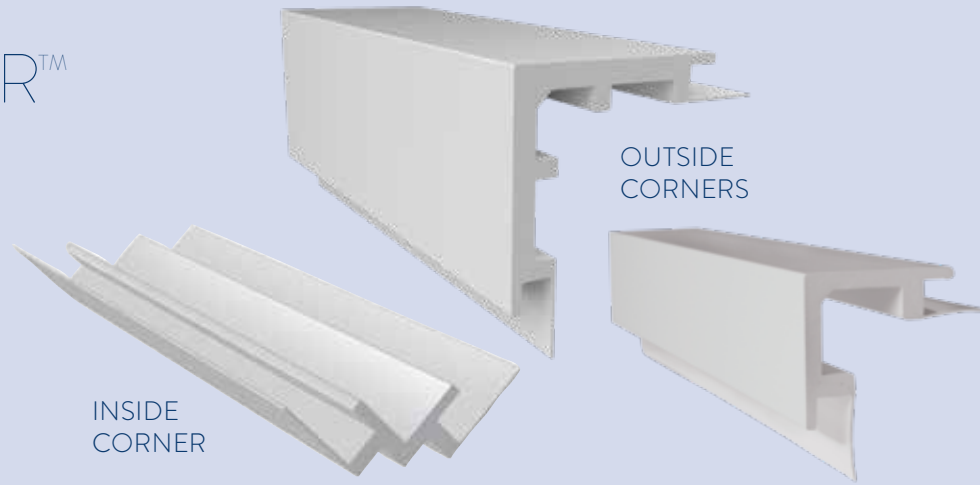
COMMON VINYL FRIEZE



AZEK J-CHANNEL SERIES

J-QUICK CORNER™

This corner is installed with hidden fasteners, completely eliminating the need for excessive face nailing and touch-up. It is also versatile enough to be used with multiple types of sidings.

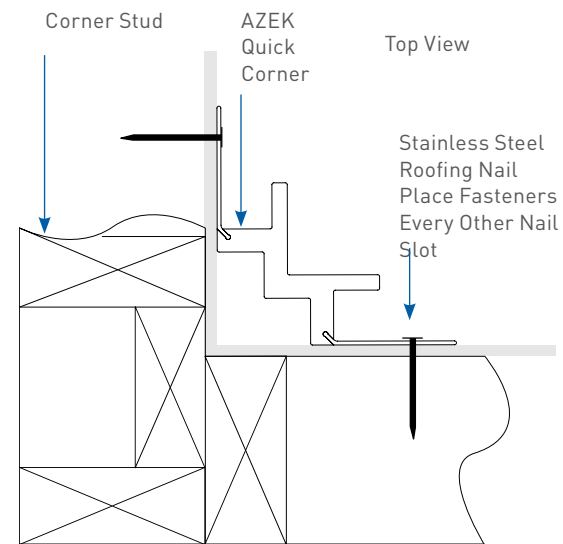


PROBLEM—COMMON VINYL CORNER:

- Complicated installation requires combining two pieces of trim to make outside corner
- Requires the purchase and installation of additional j-channel
- Unattractive appearance lessens curb appeal



INSIDE CORNER INSTALLATION

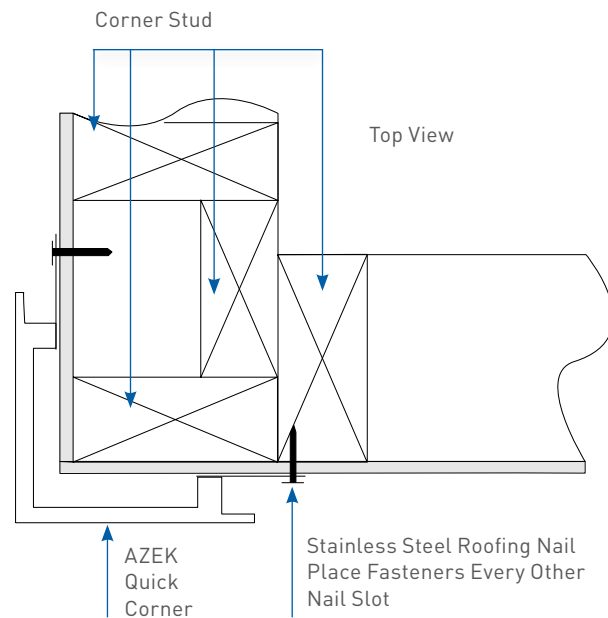


SOLUTION—AZEK J-QUICK CORNER:

- One-piece cornerboard with integrated j-channel simplifies installation
- Paint not required for protection
- Single, continuous corner piece gracefully joins siding to trim



OUTSIDE CORNER INSTALLATION



COMPLEMENTARY PRODUCTS

AZEK Trim and Mouldings come in a number of architectural designs that make it easy to add character or special finishing details to your projects. Dress up any application with the crisp, architectural detailing of our high-performance, low-maintenance AZEK® Trim and Moulding.

Learn more at [AZEKexteriors.com](https://azekexteriors.com)

CROWN MOULDING

AZEK solid crown mouldings are the perfect complement to the AZEK J-Channel Trim Series. These crown mouldings easily add elegance, character, and personality to any window, door, or frieze when applied over AZEK Trim. Installs with a stainless steel finish nail and can be finished with the AZEK Nail Eraser.

<https://azekexteriors.com/products/moulding/crowns>

COLUMN WRAP

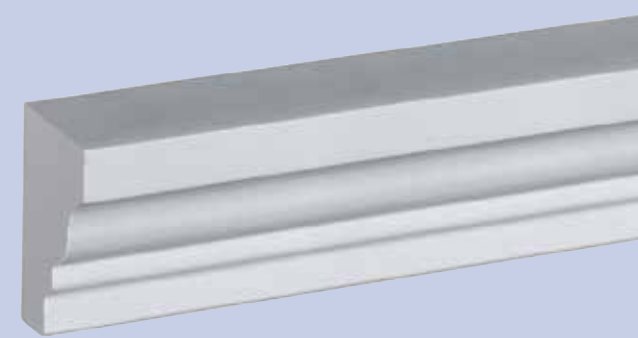
This easy-to-install 3-plus-1 column wrap profile saves time and installation costs. Three connected panels and a fourth “locking” panel fit easily and securely around a structural support with press-fit seams and clean corners.

LIFETIME LIMITED WARRANTY

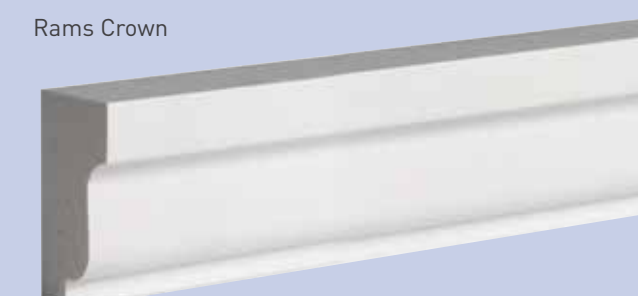


Guaranteed Against:

- Rotting
- Splintering
- Splitting
- Delaminating
- Swelling
- Warping



Rams Crown



Solid Crown



Imperial Rake Crown



4 x 4, 6 x 6, 8 x 8 Column Wrap